

PRODUCT PORTFOLIO

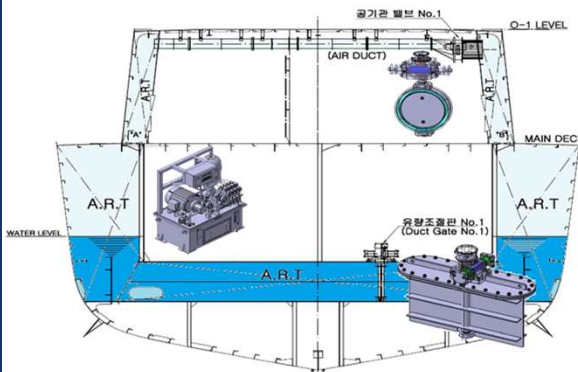
Anti Rolling Tank Passive Type

NECESSITY

- Ergonomics
- Stability
- Mission

EQUIPMENT

- Control panel
Responsible for overall control of ART system.
- HPU(HYD.Unit)
: Operating Pressure : 90 bar
- Air Valve
- Duct Gate
: Flow Control



END USER / YEAR

- Fish Guidance Boat
HJ / SAMWON / JANGBOGO Shipbuilding
- Navy / Coast Guard Vessel, Hospital Ship, ETC.
- Deployed in 2022

DESIGN CONCEPT

- Safety
: Making rolling angle small, which means minimizing damage and collapse of cargo in ship.
- Guarantee more than 40% reduction in rolling.
- Economical
: Automatic control system and running cost is almost nothing.